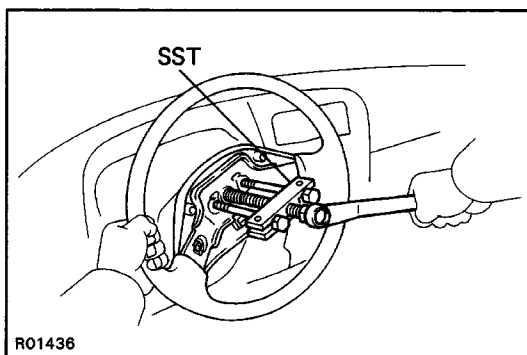
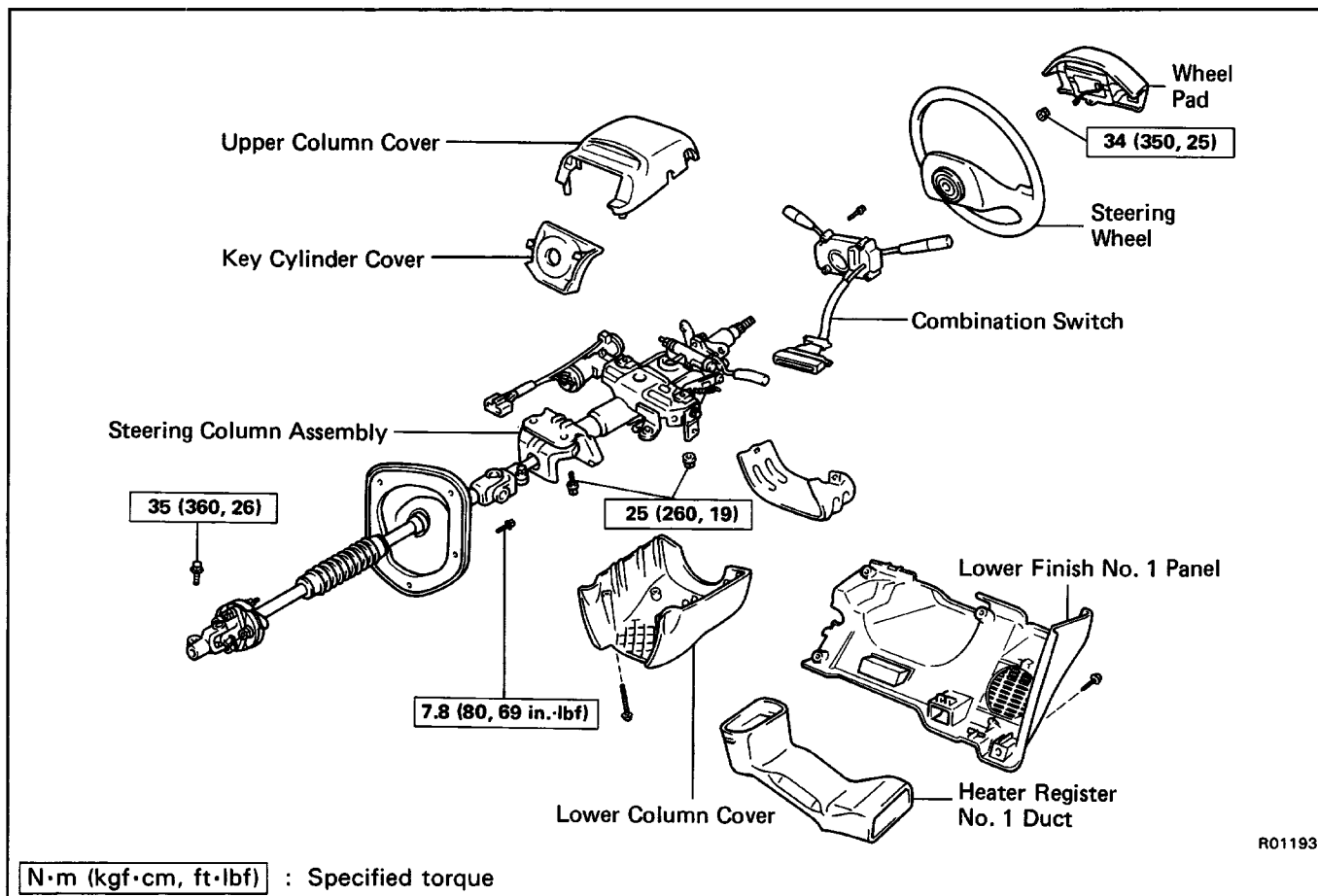


STEERING COLUMN REMOVAL AND INSTALLATION OF STEERING COLUMN

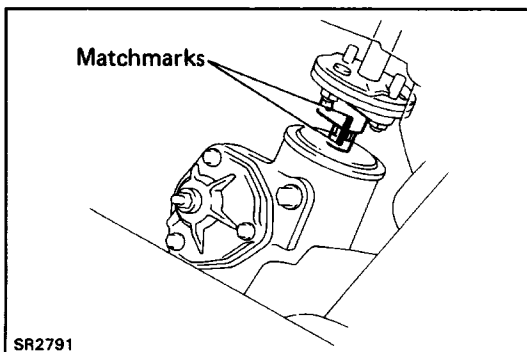
Remove and install the parts as shown.



(MAIN POINTS OF REMOVAL)

1. REMOVE STEERING WHEEL

Using SST, remove the steering wheel.
SST 09609-20011



2. DISCONNECT MAIN SHAFT

- Place matchmarks on the worm shaft and main shaft.
- Disconnect the main shaft from the worm shaft.